

PROJECT INFORMATION

Project Name	Type
Catalog #	Date

SequoiaGreen Area Luminaire



APPLICATIONS

- Area Lighting
- Retail Spaces
- Street Lighting
- Auto Dealerships & Sales Lots
- Parks & Recreation Areas
- Safety & Security

APPROVALS

- ETL Listed
- Complies with UL 1598 and CSA C22.2
- Suitable for wet locations
- 3G Vibration Rated
- IP66 Rated
- BAA Compliant
- RoHS Compliant
- ATAL Tested www.ata-labs.com
- Select models DLC Qualified.



FEATURES

- Lumen packages ranging from 4000L to 30000L.
- Outstanding photometric performance results in excellent uniformity, optimal pole spacing and lower power density.
- Low profile architectural design offers a contemporary appearance with excellent light output.
- Enhanced foot candles delivered utilizing multiple optical options.

CONSTRUCTION

- Thermal management achieved with a one-piece die-cast aluminum has integral heat sink fins and a hinged electrical compartment with tool less entry.
- Thermoset powder coat, available in bronze, white or custom colors (consult factory)
- IP66, precision molded, polycarbonate optics providing impact resistance and UV stabilization.

ELECTRICAL

- Voltage: 120-277V or 347-480V AC input
- Driver: Class 2, constant current, calibrated to lumen package (0-10V dimming standard)
- Surge Protection: 20kA standard.
- Operating temperature: -40°C to +50°C (-40°F to +122°F)

CONTROLS

- Programmable smart sensor and twist-lock receptacle control options available.

MOUNTING

- Integral arm with key hole slot facilitates quick and easy installation.
- Included nut plate eliminates loose hardware in the pole and reduces installation labor.
- Adjustable slip fitter, round pole adaptor, universal pole adaptor, and other mounting options available as accessories.

WARRANTY

- Backed by limited 5-year warranty.

ORDER LOGIC

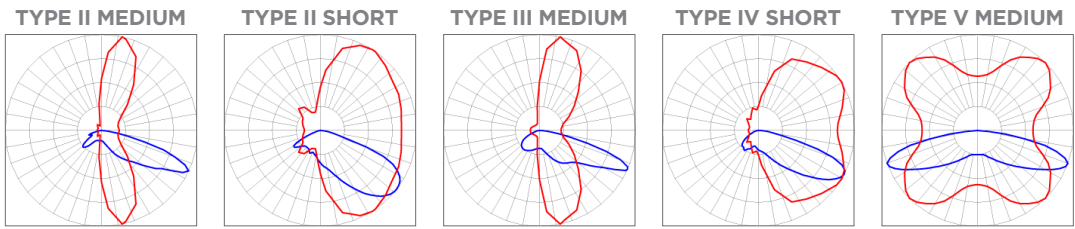
SAMPLE CATALOG NUMBER: SGALSO10252MNDIM320XXBZHO

SIZE	MODEL	OPTICS	ORIENTATION	DRIVER	CCT	20 SURGE	CONTROLS	MOUNTING ⁴	FINISH	HO HIGH OUTPUT	OPTIONS
S01 Small	025	2M Type II	N Normal (forward)	DIM Dim 0-10V, 120-277V	3 3000K	20 20kA Surge	X None 7 ³ 7-Pin Twist-Lock B Smart Sensor, 20'H/40'D D Smart Sensor, 40'H/100'D	X Standard A Adjustable Slip Fitter	BZ Bronze WH White CC ⁵ Custom	HO	HS House-side Shield
	052	Medium									
	072	2S Type II	L ¹ Left R ¹ Right	HVD ² Dim 0-10V, 347-480V	4 4000K 5 5000K						
	100	Short									
M02 Medium	100	3M Type III	4S Type IV	5M Type V	5M	5M	5M	5M	5M	5M	5M
	144	Medium									
	200	Short									
L03 Large	231	5M Type V	5M	5M	5M	5M	5M	5M	5M	5M	5M
	300	Square Medium									

1. L & R options not available with 5M.
 2. 48D not available with 231 model.
 3. Photocontrol not included with 7 option. Photocontrol or shorting cap is required for operation.
 4. All mounting options must be ordered with their respective accessory.
 5. Consult factory for custom color options.

SequoiaGreen Area Luminaire

ISO LINES



PHOTOMETRIC DATA

SIZE	MODEL	CCT	LENS / OPTICS	LUMENS	WATTAGE	EFFICACY
Small	025	5000K	2M	4099	27.3	150.0
			2S	4139	27.3	152.0
			3M	4099	27.3	150.0
			4S	4165	27.3	153.0
			5M	4284	27.3	157.0
	052		2M	7568	52.6	144.0
			2S	7642	52.6	145.0
			3M	7568	52.6	144.0
			4S	7690	52.6	146.0
			5M	7910	52.6	150.0
	072		2M	10779	77.0	140.0
			2S	10885	77.0	141.0
			3M	10779	77.0	140.0
			4S	10954	77.0	142.0
			5M	11267	77.0	146.0
100	2M	14318	106.5	134.0		
	2S	14459	106.3	136.0		
	3M	14318	106.4	135.0		
	4S	14550	106.3	137.0		
	5M	14966	106.4	141.0		
Medium	100	5000K	2M	15274	103.7	147.0
			2S	15366	103.7	148.0
			3M	15083	103.7	145.0
			4S	15313	103.7	148.0
			5M	15806	103.7	152.0
	144		2M	21697	153.8	141.0
			2S	21827	153.8	142.0
			3M	21424	153.8	139.0
			4S	21752	153.8	141.0
			5M	22452	153.8	146.0
	200		2M	28503	211.4	135.0
			2S	28674	211.4	136.0
			3M	28145	211.4	133.0
			4S	28575	211.4	135.0
			5M	29495	211.4	140.0

LUMEN MULTIPLIER VS CCT

CCT	MULTIPLIER
3000K	0.89
4000K	0.98
5000K	1.0

SequoiaGreen Area Luminaire

PHOTOMETRIC DATA

SIZE	MODEL	CCT	LENS / OPTICS	LUMENS	WATTAGE	EFFICACY
Large	231	5000K	2M	35177	246.1	143.0
			2S	35431	246.1	144.0
			3M	34922	246.1	142.0
			4S	35570	246.1	145.0
			5M	35852	246.1	146.0
	300		2M	41340	323.4	128.0
			2S	41638	323.4	129.0
			3M	41040	323.4	127.0
			4S	41719	323.4	129.0
			5M	43505	323.7	134.0

LUMEN MULTIPLIER VS CCT

CCT	MULTIPLIER
3000K	0.89
4000K	0.98
5000K	1.0

DIMENSIONAL DATA

STANDARD SIZES

WEIGHT:

Small = 11 LB

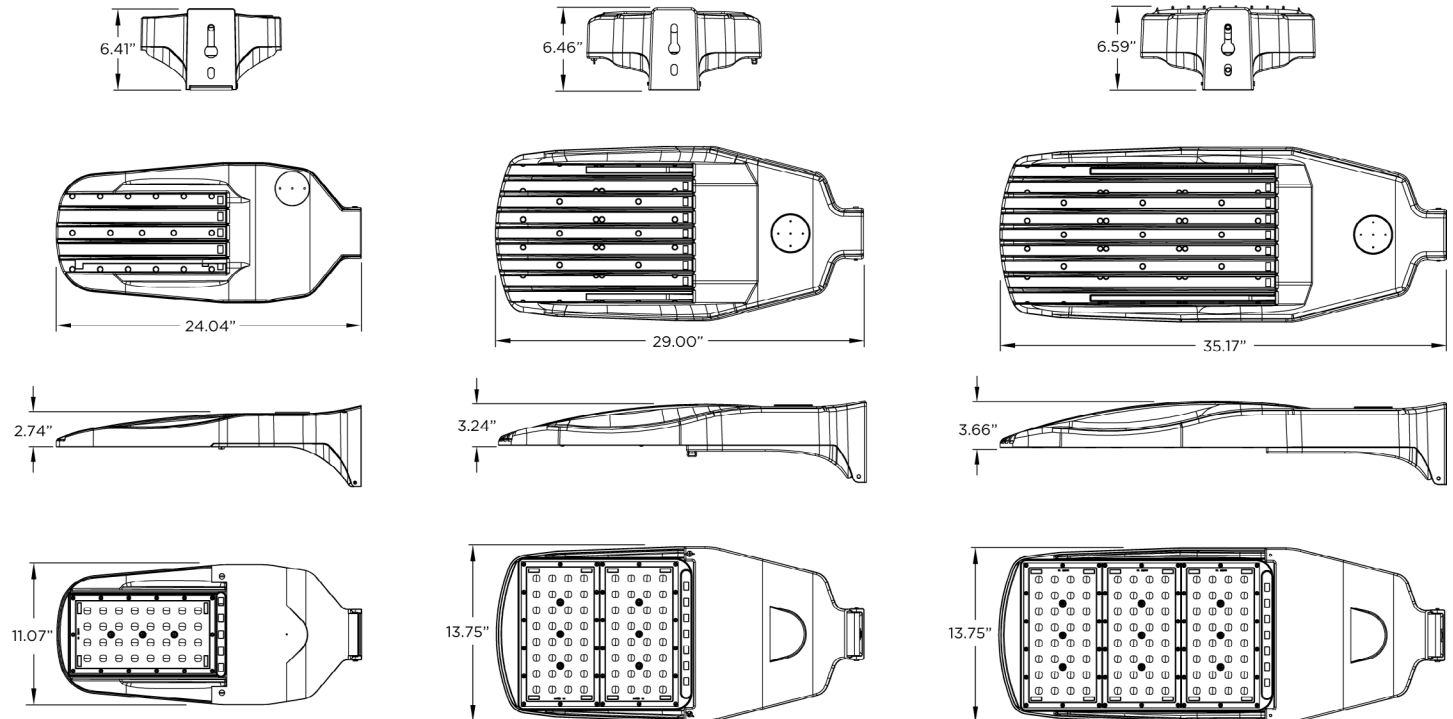
Medium = 29 LB

Large = 39 LB

SMALL

MEDIUM

LARGE

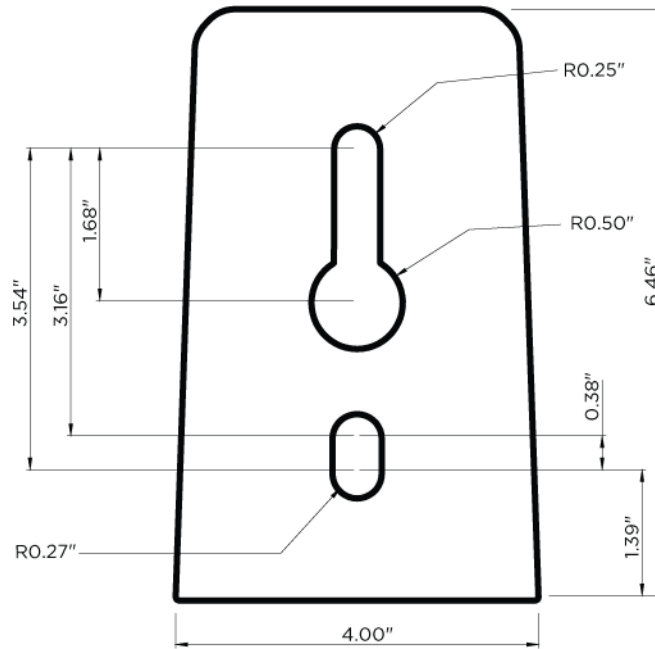


- Dimensional Data shows the end, top, side, and bottom views for all standard sizes.
- All weights are rounded up to the nearest 0.5 lb.


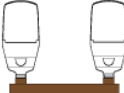


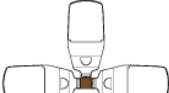

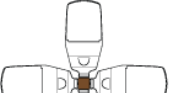
SequoiaGreen Area Luminaire

MOUNTING

STANDARD MOUNTING





EPA RATINGS

	SINGLE	DUAL SSA	TWO AT 90	TWO AT 180	THREE AT 90	THREE AT 120	FOUR AT 90
							
SMALL	0.68 sq. ft.	0.68 sq. ft.	1.02 sq. ft.	1.36 sq. ft.	1.7 sq. ft.	1.45 sq. ft.	1.7 sq. ft.
MEDIUM	1.47 sq. ft.	1.75 sq. ft.	2.21 sq. ft.	2.95 sq. ft.	3.68 sq. ft.	3.16 sq. ft.	3.68 sq. ft.
LARGE	1.79 sq. ft.	2.069 sq. ft.	2.68 sq. ft.	3.59 sq. ft.	4.47 sq. ft.	3.84 sq. ft.	4.47 sq. ft.

SequoiaGreen Area Luminaire

ACCESSORIES (SOLD SEPARATELY)

VNT-ASF	<input type="text"/> FINISH			DESCRIPTION		
	BW Bronze WH White			<ul style="list-style-type: none"> Adjustable Slip Fitter Must select (A) in the order logic under the Mounting section. 180° range of motion in 10° increments. EPA: 0.127 sq. ft. - 6.0 LB 		
VNT-RPA	<input type="text"/> FINISH			DESCRIPTION		
	BW Bronze WH White			<ul style="list-style-type: none"> Round Pole Adaptor Allows up to four Viento fixtures to be mounted to one pole. 3" to 5" Diameter EPA: 0.03 sq. ft. - 0.75 LB 		
VNT-WB	<input type="text"/> FINISH			DESCRIPTION		
	BW Bronze WH White			<ul style="list-style-type: none"> Wall Bracket 		
VNT-UPM	<input type="text"/> POLE	<input type="text"/> FINISH		DESCRIPTION		
	SQ Square RD Round	BZ Bronze WH White		<ul style="list-style-type: none"> Universal Pole Mount Adaptor 		
VNT-TWB	<input type="text"/> FINISH			DESCRIPTION		
	BW Bronze WH White			<ul style="list-style-type: none"> Tenon Wall Bracket Horizontal Mount 8" Square Plate - 2 3/8" OD Must be ordered with the Adjustable Slip Fitter (ASF) accessory. 		
VNT-SSA	<input type="text"/> FINISH			DESCRIPTION		
	BW Bronze WH White			<ul style="list-style-type: none"> Shoulder-to-Shoulder Adaptor EPA: 0.90 sq. ft. - 27 LB 		
VNT-TMA	<input type="text"/> POLE	<input type="text"/> FINISH	<input type="text"/> SIZE	<input type="text"/> MOUNTING	DESCRIPTION	
	S Square R Round	BZ Bronze WH White	4 4" 5 5" 6 6"	01 1 Fixture 28 2 Fixtures at 180° 29 2 Fixtures at 90° 39 3 Fixtures at 90° 32 3 Fixtures at 180° 49 4 Fixtures at 90°	<ul style="list-style-type: none"> Tenon Mount Adaptor Dimensions (S): 4"/5"/6" Dimensions (R): 4"/5" DIA EPA: 0.4 sq. ft. 10 - 16 LB VNT-TMAR includes Round Pole Adaptor (VNT-RPA) depending on mounting count. 	